

CANDIDATE
NAME

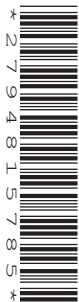
--

CENTRE
NUMBER

--	--	--	--	--

CANDIDATE
NUMBER

--	--	--	--



PHYSICAL SCIENCE

0652/31

Paper 3 (Extended)

October/November 2015

1 hour 15 minutes

Candidates answer on the Question Paper.

No Additional Materials are required.

READ THESE INSTRUCTIONS FIRST

Write your Centre number, candidate number and name on all the work you hand in.

Write in dark blue or black pen.

You may use an HB pencil for any diagrams, graphs, tables or rough working.

Do not use staples, paper clips, glue or correction fluid.

DO NOT WRITE IN ANY BARCODES.

Answer **all** questions.

A copy of the Periodic Table is printed on page 24.

Electronic calculators may be used.

At the end of the examination, fasten all your work securely together.

The number of marks is given in brackets [] at the end of each question or part question.

This document consists of **20** printed pages and **4** blank pages.

- 1 Fig. 1.1 shows an Atlas space rocket as it takes off from its launch pad.

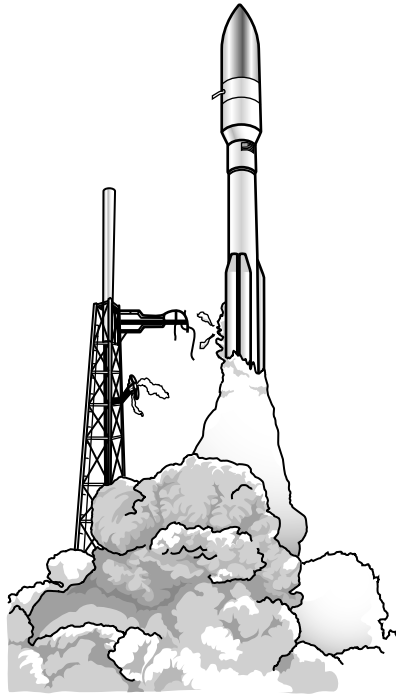


Fig. 1.1

- (a) The initial mass of the rocket and fuel is 160000kg.

Calculate the weight of the rocket and fuel. Use $g = 10\text{ m/s}^2$.

weight = N [1]

- (b) The initial thrust from the rocket motors is 2000000N.

- (i) Calculate the resultant upward force on the rocket.

force = N [1]

- (ii) Calculate the initial acceleration of the rocket and state the unit.

acceleration = unit [3]

- (c) The thrust from the motors is constant. However, the acceleration of the rocket increases. Suggest a reason for this increase.

.....
.....
..... [1]

2 Acids react with bases to form salts.

Table 2.1 shows some reactions of acids and bases and the salts formed.

Table 2.1

acid	base	salt formed
sulfuric acid	sodium hydroxide	sodium sulfate
hydrochloric acid	sodium carbonate	
	zinc oxide	zinc nitrate
sulfuric acid		magnesium sulfate

(a) Complete Table 2.1 by filling in the empty boxes. [3]

(b) Write a balanced equation for the reaction between hydrochloric acid and sodium carbonate.

..... [2]

(c) Zinc oxide will react with alkalis as well as acids.

State the name given to this sort of oxide.

..... [1]

(d) (i) When an acid is added to an alkali, a salt and water only are formed.

This is a neutralisation reaction.

Write an equation, using ions, to represent the neutralisation in such a reaction.

..... [1]

(ii) Dilute sulfuric acid is added to an aqueous solution of sodium hydroxide.

Use ideas of proton transfer to explain why sodium hydroxide is the base in this reaction.

.....
 [1]

- 3 (a) Fig. 3.1 shows a piece of apparatus, viewed from above. Four different metal strips are fixed to a wooden ring.

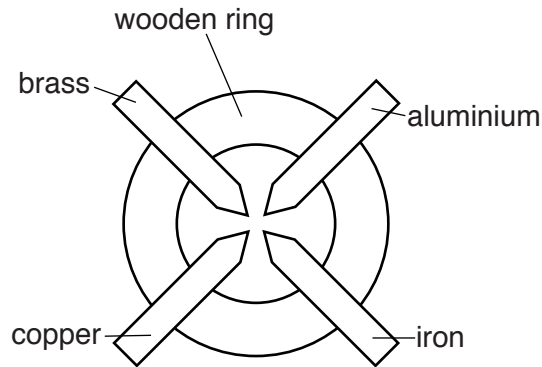


Fig. 3.1

Fig. 3.2 shows an experiment using the apparatus.

A match head is placed on the end of each metal strip. The strips are then heated at the centre.

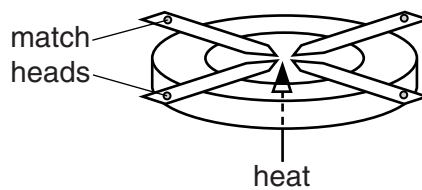


Fig. 3.2

Each of the match heads ignites after a different length of time. This is shown in Table 3.1.

Table 3.1

metal strip	time for match head to ignite/minutes
aluminium	4
brass	3
copper	1
iron	8

List the metals in order of their thermal conductivity.

most conductive

.....

.....

least conductive

[2]

(b) Fig. 3.3 shows an experiment to investigate the energy absorbed by different surfaces.

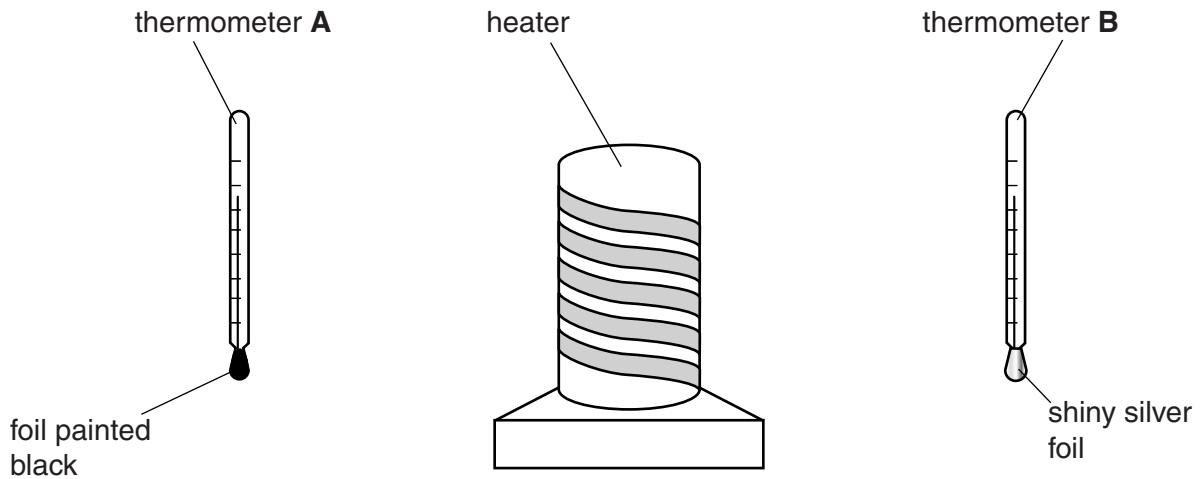


Fig. 3.3

The two thermometers are equal distances from the heater. Both of their bulbs are wrapped in aluminium foil. The foil on thermometer **A** is painted black and the foil on thermometer **B** is left shiny silver.

At the beginning of the experiment the two thermometers both show a temperature of 18°C .

The heater is switched on.

- (i) State the main method of thermal energy transfer that takes energy from the heater to the thermometers.

..... [1]

The heater is left on for ten minutes. Thermometer **A** now shows a reading of 32°C .

- (ii) Predict the temperature reading shown by thermometer **B**.

temperature = $^{\circ}\text{C}$ [1]

- (iii) Explain why there is a difference in the two thermometer readings.

.....
 [1]

- 4 Fig. 4.1 shows the structural formulae of ethene and two compounds, **A** and **B**, that can be made from ethene.

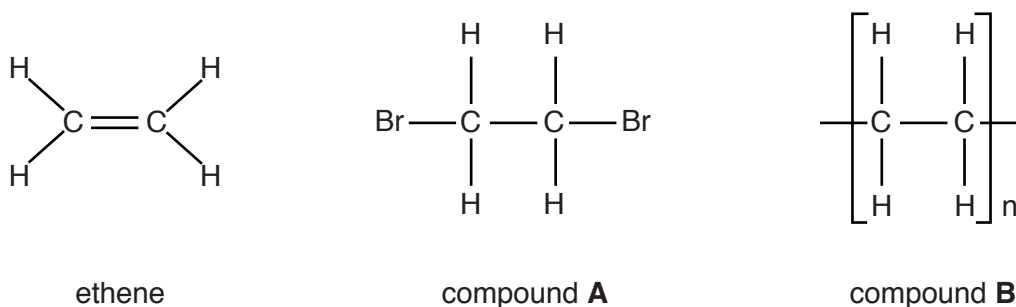


Fig. 4.1

- (a) Ethene can be made from the large chain alkanes found in crude oil.

Name this process and state the conditions necessary for it to occur.

.....
 [2]

- (b) Compound **A** is formed in a test to distinguish between ethane and ethene.

Describe this test and the results you would expect for each.

test

.....

.....

result with ethane

.....

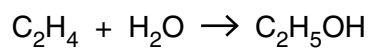
result with ethene

..... [2]

- (c) State the type of reaction used to make compound **B** from ethene.

..... [2]

(d) Ethanol can be made by the reaction of ethene with steam.



Calculate the mass of ethanol that can be made from 1.0 kg of ethene.

[Relative atomic masses: A_r : C, 12; H, 1; O, 16.]

Show your working in the box.

mass of ethanol = kg [3]

5 Fig. 5.1 shows a ray of light entering a lens. The insert shows an enlarged view.

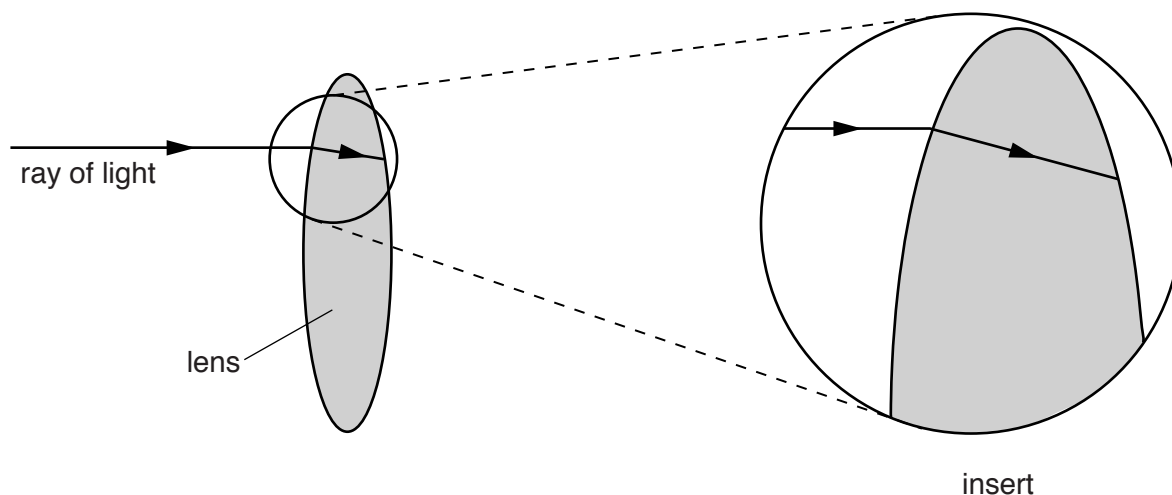


Fig. 5.1

(a) On the enlarged insert, identify and label, with the letter r , the angle of refraction the ray of light makes with the lens. [1]

(b) The ray of light has an angle of incidence of 16.0° at the lens and the angle of refraction is 11.0° .

Calculate the refractive index of the lens. Give your answer to 3 significant figures.

refractive index = [2]

(c) Fig. 5.2 shows the lens being used as a magnifying glass to study a beetle.

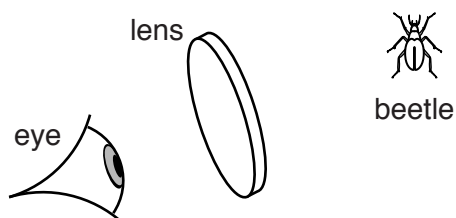


Fig. 5.2

(i) Mark, with an **X**, on Fig. 5.2 a possible position of the principal focus of the lens. [1]

(ii) State three words that describe the image seen when a lens is used as a magnifying glass.

1.

2.

3.

[3]

6 Table 6.1 shows properties of some metals.

Table 6.1

metal	density g/cm ³	melting point /°C	relative measurements		
			strength	hardness	electrical conductivity
aluminium	2.7	660	21	48	62
copper	8.9	1085	78	52	100
iron	7.9	1538	50	65	17
titanium	4.5	1668	100	100	3

(a) Use information from Table 6.1 to explain why

(i) copper is used in electrical wiring in houses,

..... [1]

(ii) aluminium is the main metal in the alloy used to make aeroplane bodies.

..... [1]

(b) An alloy of aluminium, containing small quantities of copper, manganese and magnesium, is used to make aeroplane bodies.

(i) Suggest how the properties of this alloy make it more suitable for use in aeroplane bodies than pure aluminium.

.....

..... [1]

(ii) Use ideas about metallic bonding to explain this difference in properties.

You may draw a diagram to help your answer.

.....
.....
.....
.....
..... [4]

(c) (i) When exposed to humid air, iron rusts until none of the metal remains.

Aluminium does not react in a similar way.

Explain this difference.

.....
..... [1]

(ii) Iron can be galvanised to prevent rusting.

The iron is covered with a layer of zinc. This stops the iron rusting even if the layer of zinc is scratched to expose iron.

Explain why this layer of zinc prevents the exposed iron from rusting.

..... [1]

- 7 A student constructs the circuit shown in Fig. 7.1 using a cell of e.m.f. 6.0 V, a resistor of resistance $20\ \Omega$ and a resistance wire of length 25 cm.

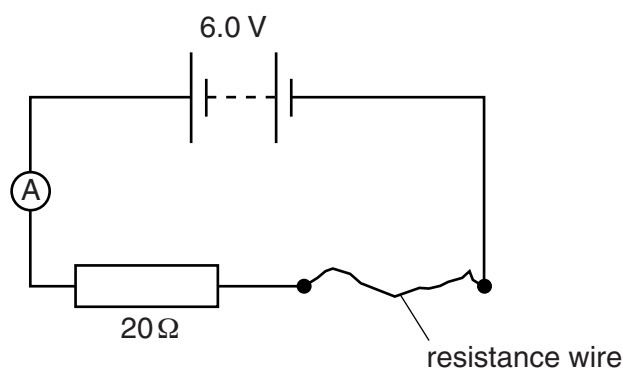


Fig. 7.1

- (a) Explain what is meant by the term *e.m.f.* (*electromotive force*).

.....

 [2]

- (b) The ammeter reading is 0.24 A and the potential difference across the resistor is 4.8 V.

- (i) Calculate the charge passing through the resistor in 5 minutes. Give the unit.

charge = unit [3]

- (ii) Calculate the energy dissipated in the resistor in this time.

energy = J [2]

- (iii) Calculate the potential difference across the resistance wire.

potential difference = V [1]

- (iv) Use your result from (iii) to calculate the resistance of this wire.

resistance = Ω [2]

(c) The student replaces the resistance wire with one made from the same material but of length 50 cm and half the diameter.

(i) Calculate the resistance of the replacement wire.

resistance = Ω [2]

(ii) State how the potential difference across the resistor changes and explain your answer.

.....
.....
..... [2]

- 8 Table 8.1 shows how the concentration of nitrogen oxides and carbon dioxide in the air increased during the twentieth century.

Table 8.1

year	concentration in parts per million	
	nitrogen oxides	carbon dioxide
1900	18	300
1920	18	305
1940	20	310
1960	25	320
1980	30	340
2000	35	370

- (a) Describe and compare the trends shown in Table 8.1.

.....

.....

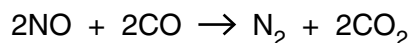
.....

..... [2]

- (b) It is suggested that these trends may have been due to an increased use of cars.

Since 2000, the number of cars fitted with catalytic converters has increased.

This equation shows the reaction taking place in a catalytic converter.



Suggest and explain what effect the increased use of catalytic converters may have on the concentration of nitrogen oxides in the air.

.....

.....

.....

..... [2]

(c) Cars release pollutants other than those shown in Table 8.1 into the air.

Name two of these other pollutants.

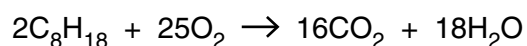
1.

2.

[2]

(d) One of the hydrocarbons in petrol is octane, C_8H_{18} .

This equation shows the complete combustion of octane.



Calculate the volume of carbon dioxide, measured at room temperature and pressure, produced when 1.0 kg of octane burns completely.

[Relative atomic masses: A_r : C, 12; H, 1; O, 16]

The volume of one mole of any gas is 24 dm^3 at room temperature and pressure.

Show your working in the box.

volume of carbon dioxide = dm^3 [4]

- 9 Fig. 9.1 shows an experiment where a magnet is placed near a coil of wire. The voltmeter is shown at the beginning of the experiment.

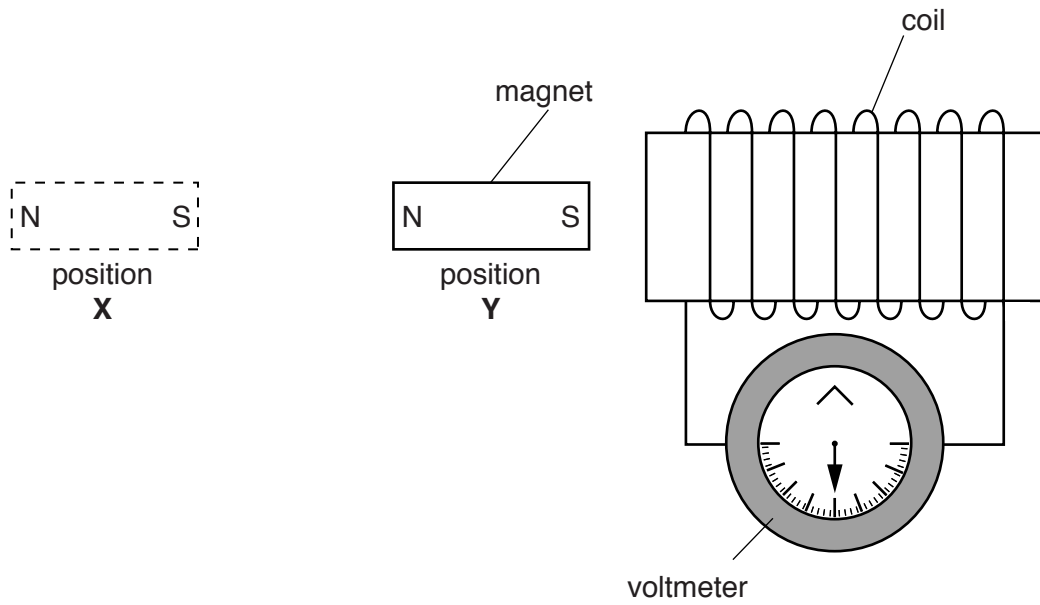


Fig. 9.1

(a) State what is observed when

- (i) the magnet is moved from position Y to position X,

.....

- (ii) the magnet is moved from position X to position Y,

.....

- (iii) the magnet is moved from position X to position Y at a greater speed,

.....

- (iv) the coil is moved towards the magnet.

.....

[5]

(b) The magnet is replaced by a current carrying coil of wire as shown in Fig. 9.2.

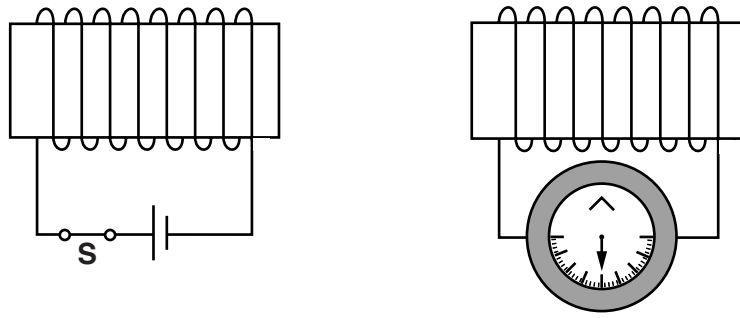


Fig. 9.2

Switch **S** is initially closed and there is a current in the coil of wire. Switch **S** is then opened and the current falls to zero.

State and explain, by referring to magnetic fields, what is observed.

.....

.....

.....

..... [3]

10 Table 10.1 gives information about some of the elements in Group VII.

Table 10.1

element	atomic number	melting point/°C	colour
chlorine	17	-101	light green
bromine	35	-7	red
iodine	53	114	dark grey

(a) Describe two trends shown in Table 10.1 that occur with increasing atomic number of the element.

1.

.....

2.

.....

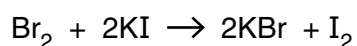
[2]

(b) The halogens decrease in reactivity with increasing atomic number.

Bromine is added to a solution of potassium iodide.

Iodine is displaced, forming a brown coloured solution.

The equation for this reaction is shown below.



Predict and explain what you would **see** if chlorine is added to a solution of potassium iodide.

prediction

explanation

.....

..... [2]

DATA SHEET
The Periodic Table of the Elements

		Group										
I	II	III	IV	V	VI	VII	VIII	IX	X	XI	XII	
7 Li Lithium 3	9 Be Beryllium 4	1 H Hydrogen 1	11 B Boron 5	12 C Carbon 6	13 Al Aluminium 13	14 N Nitrogen 7	15 P Phosphorus 15	16 S Sulfur 16	17 Cl Chlorine 17	18 Ar Argon 18	19 F Fluorine 9	20 Ne Neon 10
23 Na Sodium 11	24 Mg Magnesium 12	27 Fe Iron 26	28 Ni Nickel 28	29 Cu Copper 29	30 Zn Zinc 30	31 Ga Gallium 31	32 Ge Germanium 32	33 As Arsenic 33	34 Se Selenium 34	35 Br Bromine 35	36 Kr Krypton 36	37 Rb Rubidium 37
39 K Potassium 19	40 Ca Calcium 20	41 Ti Titanium 22	42 V Vanadium 23	43 Cr Chromium 24	44 Mn Manganese 25	45 Fe Iron 26	46 Co Cobalt 27	47 Ni Nickel 28	48 Cu Copper 29	49 Zn Zinc 30	50 Ga Gallium 31	51 Ge Germanium 32
85 Rb Rubidium 37	88 Sr Strontium 38	91 Zr Zirconium 40	92 Nb Niobium 41	93 Mo Molybdenum 42	94 Tc Technetium 43	95 Ru Ruthenium 44	96 Rh Rhodium 45	97 Pd Palladium 46	98 Ag Silver 47	99 Cd Cadmium 48	100 In Indium 49	101 Sn Tin 50
133 Cs Caesium 55	137 Ba Barium 56	178 Hf Hafnium 72	179 Ta Tantalum 73	180 W Tungsten 74	181 Re Rhenium 75	182 Os Osmium 76	183 Ir Iridium 77	184 Pt Platinum 78	185 Au Gold 79	186 Hg Mercury 80	187 Tl Thallium 81	188 Pb Lead 82
223 Fr Francium 87	226 Ra Radium 88	227 Ac Actinium 89	228 Th Thorium 90	229 Pa Protactinium 91	230 U Uranium 92	231 Np Neptunium 93	232 Pu Plutonium 94	233 Am Americium 95	234 Cm Curium 96	235 Bk Berkelium 97	236 Cf Californium 98	237 Es Einsteinium 99
287 Uu Ununseptium 113	288 Uub Ununseptium 114	289 Uu Ununseptium 115	290 Uu Ununseptium 116	291 Uu Ununseptium 117	292 Uu Ununseptium 118	293 Uu Ununseptium 119	294 Uu Ununseptium 120	295 Uu Ununseptium 121	296 Uu Ununseptium 122	297 Uu Ununseptium 123	298 Uu Ununseptium 124	299 Uu Ununseptium 125

* 58–71 Lanthanoid series
† 90–103 Actinoid series

a	X	b
---	----------	---

Key
a = relative atomic mass
X = atomic symbol
b = atomic (proton) number

The volume of one mole of any gas is 24dm³ at room temperature and pressure (r.t.p.).