



Cambridge IGCSE™

CANDIDATE
NAME

CENTRE
NUMBER

--	--	--	--	--

CANDIDATE
NUMBER

--	--	--	--



MATHEMATICS

0580/01

Paper 1 Non-calculator (Core)

For examination from 2025

SPECIMEN PAPER

1 hour 30 minutes

You must answer on the question paper.

You will need: Geometrical instruments

INSTRUCTIONS

- Answer **all** questions.
- Use a black or dark blue pen. You may use an HB pencil for any diagrams or graphs.
- Write your name, centre number and candidate number in the boxes at the top of the page.
- Write your answer to each question in the space provided.
- Do **not** use an erasable pen or correction fluid.
- Do **not** write on any bar codes.
- Calculators must **not** be used in this paper.
- You may use tracing paper.
- You must show all necessary working clearly.

INFORMATION

- The total mark for this paper is 80.
- The number of marks for each question or part question is shown in brackets [].

This document has **18** pages.

List of formulas

Area, A , of triangle, base b , height h . $A = \frac{1}{2}bh$

Area, A , of circle of radius r . $A = \pi r^2$

Circumference, C , of circle of radius r . $C = 2\pi r$

Curved surface area, A , of cylinder of radius r , height h . $A = 2\pi rh$

Curved surface area, A , of cone of radius r , sloping edge l . $A = \pi rl$

Surface area, A , of sphere of radius r . $A = 4\pi r^2$

Volume, V , of prism, cross-sectional area A , length l . $V = Al$

Volume, V , of pyramid, base area A , height h . $V = \frac{1}{3}Ah$

Volume, V , of cylinder of radius r , height h . $V = \pi r^2 h$

Volume, V , of cone of radius r , height h . $V = \frac{1}{3}\pi r^2 h$

Volume, V , of sphere of radius r . $V = \frac{4}{3}\pi r^3$

Calculators must **not** be used in this paper.

1 Kim takes part in a race that covers a total distance of 20 000 m. She cycles 17 875 m and runs the remaining distance.

(a) Work out the distance Kim runs.

..... m [1]

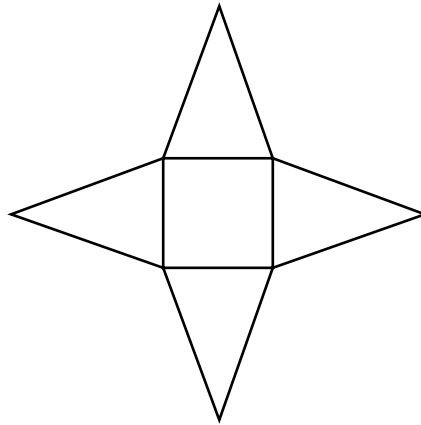
(b) Write the number 17 875 in words.

.....
..... [1]

(c) Write the number 17 875 correct to the nearest hundred.

..... [1]

2 The diagram shows the net of a solid.



(a) What is the mathematical name of the solid?

..... [1]

(b) For this solid, write down the number of vertices.

..... [1]

- 3 The number N is both a multiple of 12 and a square number.

Find the smallest possible value of N .

..... [2]

- 4 A coin is made from a mixture of tin, copper and zinc.
The table shows the percentage of each metal used.

Metal	Tin	Copper	Zinc
Percentage	0.4%	96.5%	$k\%$

Work out the value of k .

$k =$ [2]

- 5 Here are four number cards.

0	1	3	5
---	---	---	---

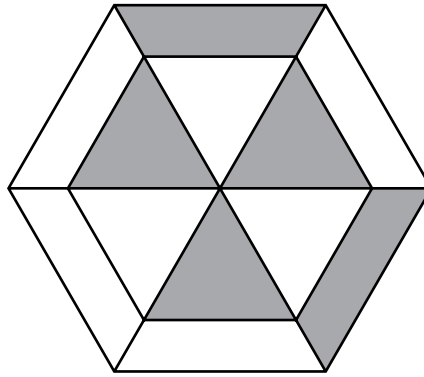
Using each card once, write down one number between 3020 and 3200.

..... [1]

- 6 Write the ratio $90:120$ in its simplest form.

..... : [1]

- 7 The diagram shows a shape with five shaded sections.

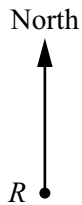


Shade one more section on the diagram so that it has rotational symmetry of order 3.

[1]

- 8 The scale drawing shows the position of a rock, R .
The scale is 1 centimetre represents 30 metres.
A lighthouse, L , is 210 m from R , on a bearing of 125° .

On the scale drawing, mark the position of L .

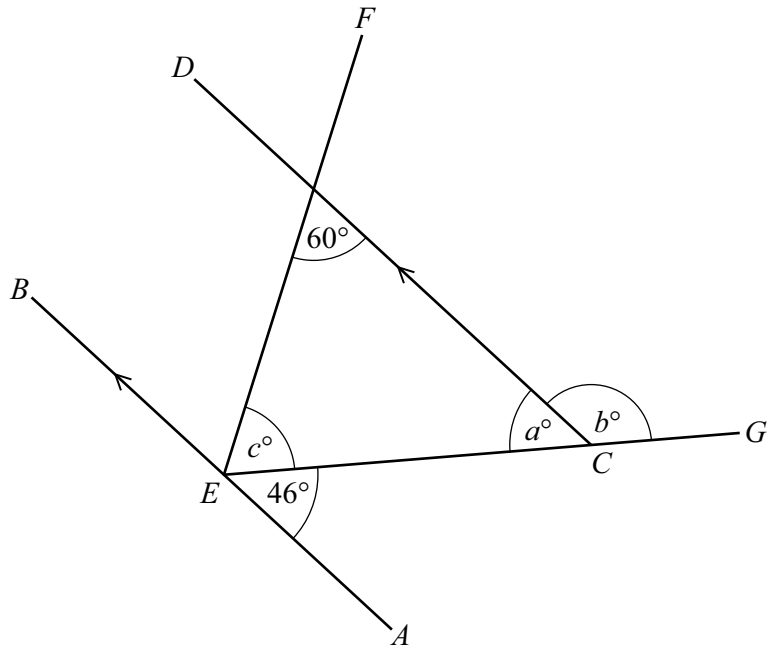


Scale: 1 cm to 30 m
[2]

- 9 A cake has a mass of 600 g.
Joe eats $\frac{1}{5}$ of the cake.

Find the mass of the cake that is left.

..... g [2]



NOT TO SCALE

Lines AB and CD are parallel.
 EF and EG are straight lines.

- (a) Find the value of a .
 Give a geometrical reason for your answer.

$a = \dots\dots\dots$ because $\dots\dots\dots$ [2]

- (b) Find the value of b .
 Give a geometrical reason for your answer.

$b = \dots\dots\dots$ because $\dots\dots\dots$
 $\dots\dots\dots$ [2]

- (c) Find the value of c .
 Give a geometrical reason for your answer.

$c = \dots\dots\dots$ because $\dots\dots\dots$
 $\dots\dots\dots$ [2]

11 Work out.

(a) $7 + 9 \times 3$

..... [1]

(b) $-6 - (-12)$

..... [1]

(c) 10^{-2}

..... [2]

12 (a) Factorise.

$$9x + 12$$

..... [1]

(b) Solve.

$$6x - 5 = 2x + 13$$

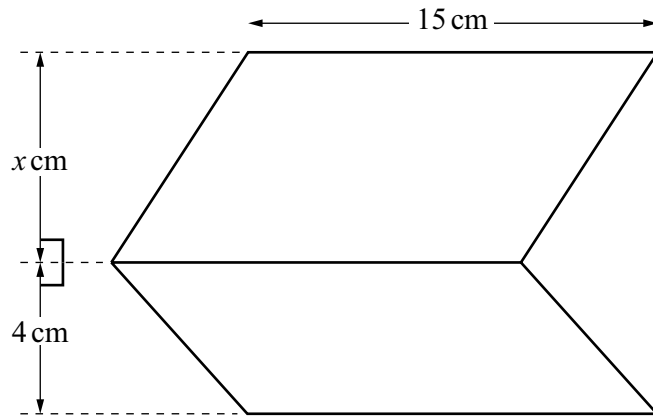
$x =$ [2]

- 13** A plane flies from London to Colombo.
The time in London when the plane leaves is 08 20 on Saturday.
The time in Colombo when the plane arrives is 02 15 on Sunday.
The flight time is 13 hours 25 minutes.

Find the time difference between London and Colombo.
State whether the time in Colombo is ahead or behind the time in London.

[3]

- 14 The diagram shows a shape made from two different parallelograms. The shape has a total area of 210 cm^2 .



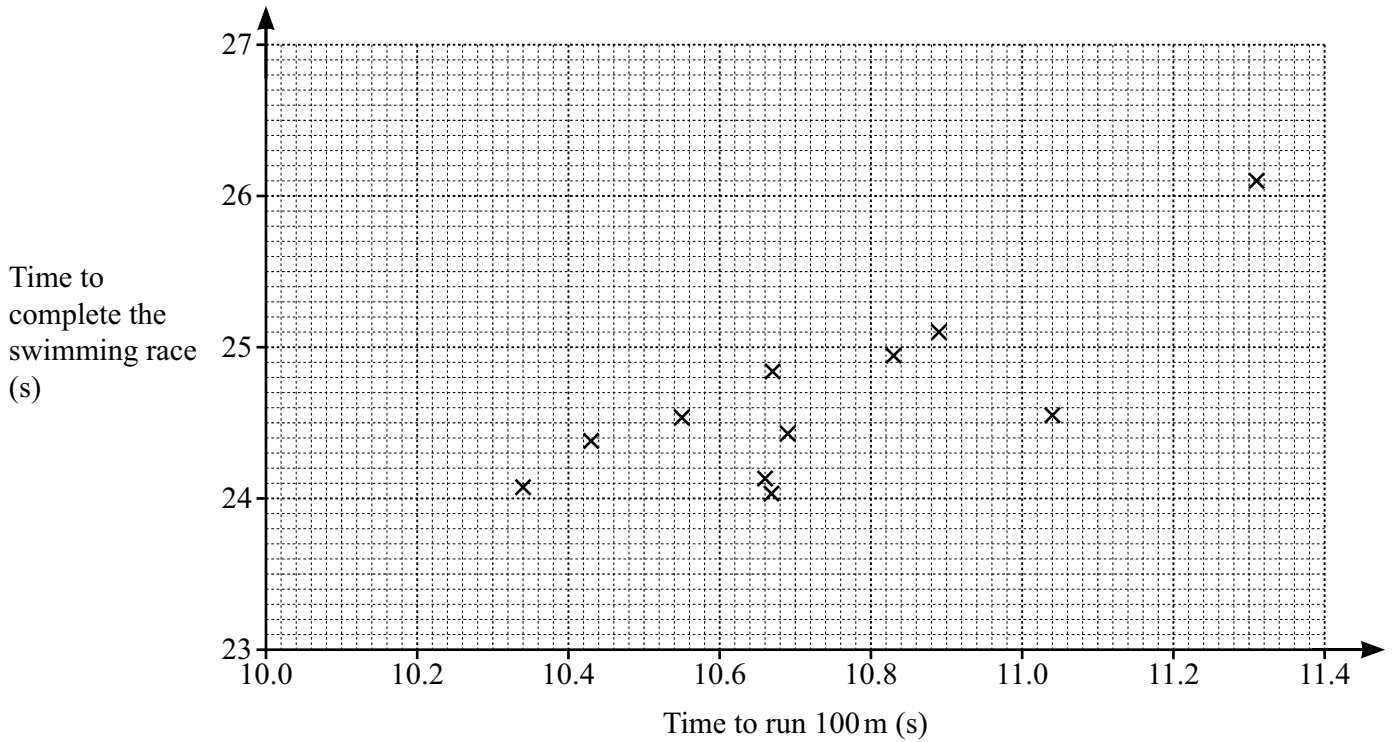
NOT TO
SCALE

Find the value of x .

$x = \dots\dots\dots [4]$

15 (a) As part of a sports competition, 14 athletes run 100 m and complete a swimming race.

The scatter diagram shows the times, in seconds, to run 100 m and the times, in seconds, to complete the swimming race, for 11 of these athletes.



The table shows the times for the other 3 athletes.

Time to run 100 m (s)	10.20	10.86	11.04
Time to complete the swimming race (s)	23.5	25.4	24.9

(i) On the scatter diagram, plot these three points. [2]

(ii) State the type of correlation shown in the scatter diagram.
 [1]

(iii) On the scatter diagram, draw a line of best fit. [1]

(iv) Another athlete completes the swimming race in 23.8 seconds.

Use your line of best fit to estimate the athlete's time to run 100 m.

..... s [1]

(b) The table shows the diameter, in centimetres, and the mass, in grams, of nine medals.

Diameter (cm)	85	85	70	60	68	70	70	60	66
Mass (g)	500	412	200	135	180	181	231	152	102

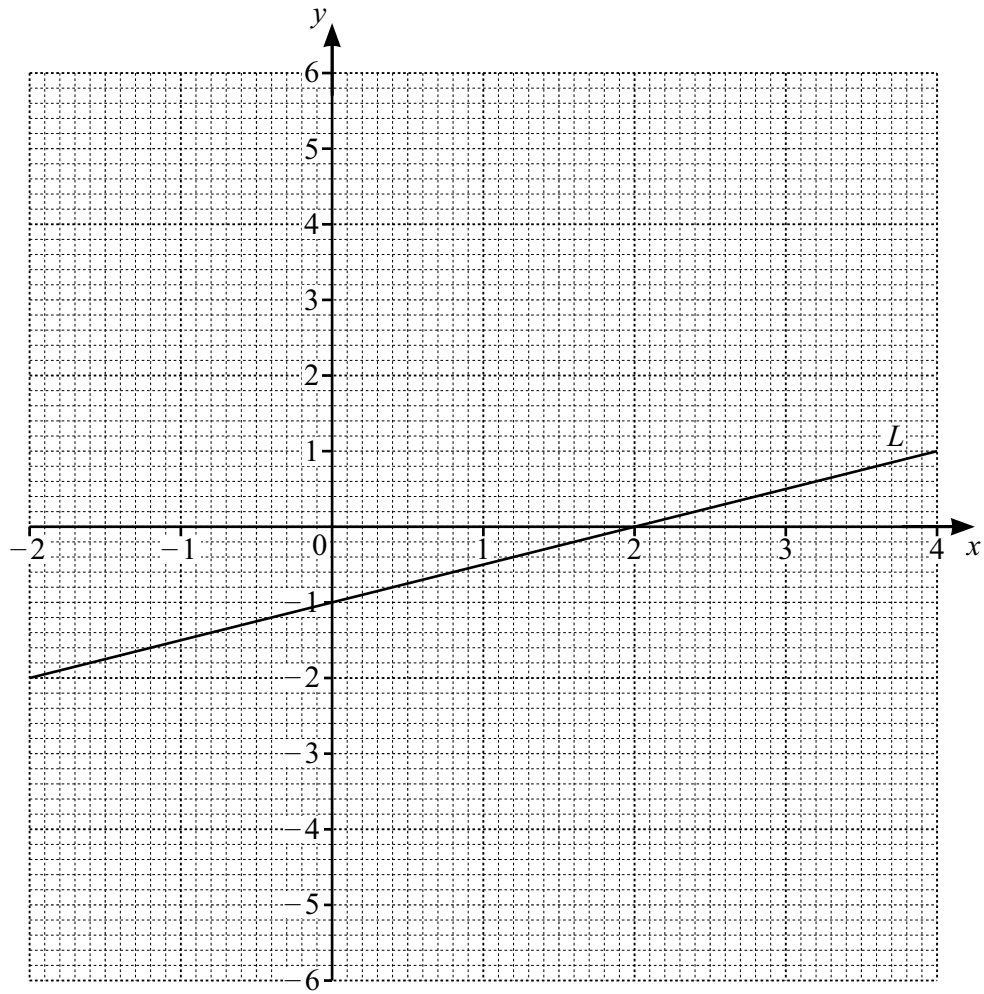
(i) Write down the mode of the diameters.

..... cm [1]

(ii) Find the median of the masses.

..... g [2]

16 The line L is shown on the grid.



(a) Find the equation of line L in the form $y = mx + c$.

$y = \dots\dots\dots$ [3]

(b) The table shows some values for $y = x^2 - 2x - 3$.

x	-2	-1	0	1	2	3	4
y		0	-3		-3	0	

(i) Complete the table. [2]

(ii) On the grid, draw the graph of $y = x^2 - 2x - 3$ for $-2 \leq x \leq 4$. [4]

(c) Write down the equation of the line of symmetry of the graph of $y = x^2 - 2x - 3$.

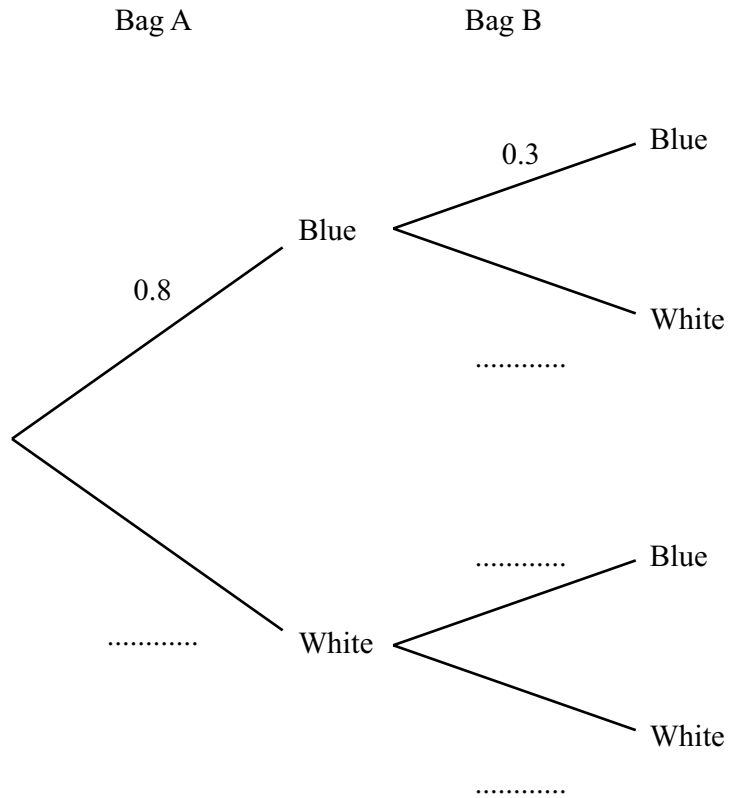
..... [1]

(d) Write down the negative value of x where the line L and the graph of $y = x^2 - 2x - 3$ intersect.

$x =$ [1]

- 17 Two bags, A and B, each contain blue beads and white beads only. The probability of taking a blue bead at random from bag A is 0.8 . The probability of taking a blue bead at random from bag B is 0.3 .

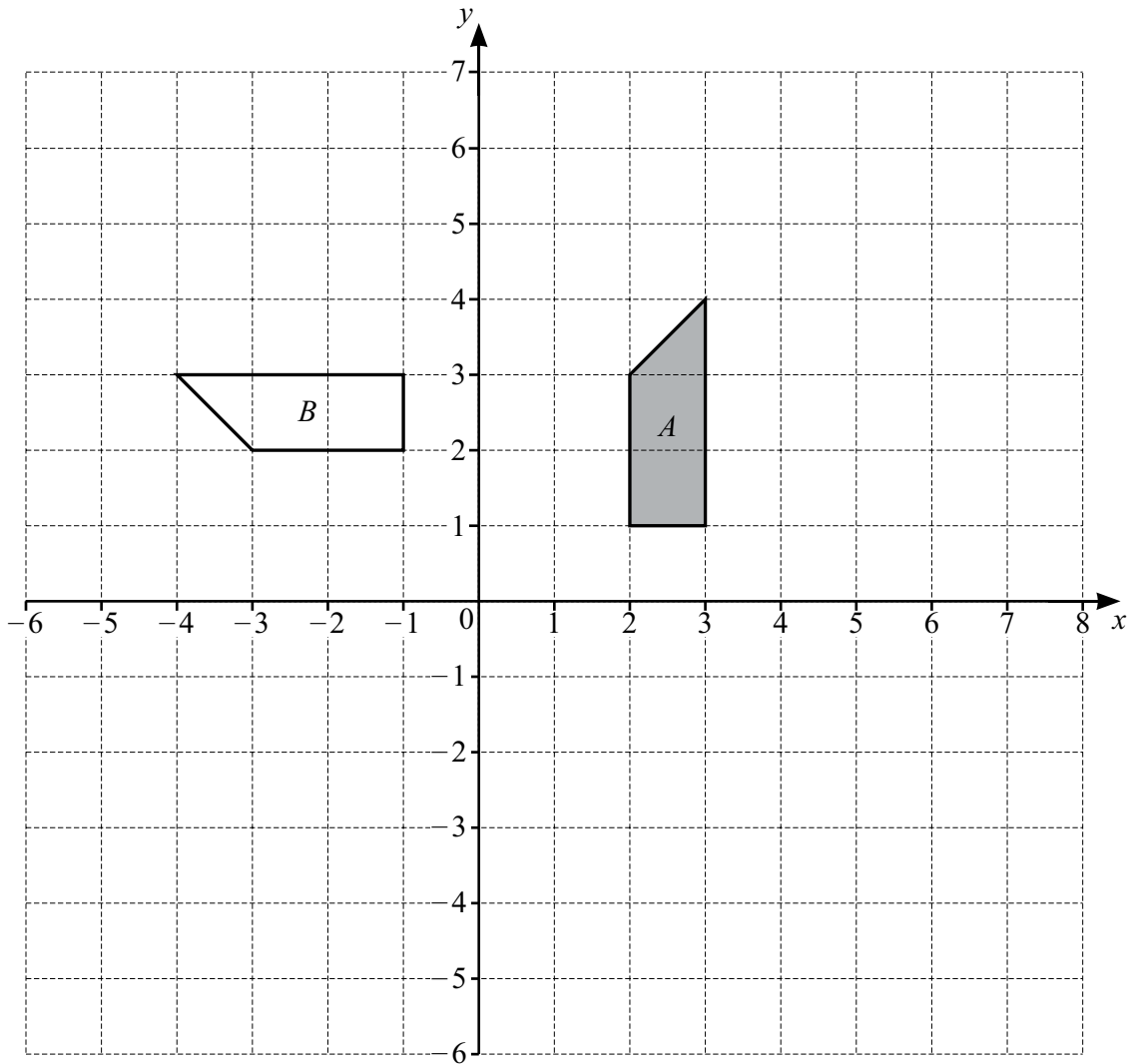
(a) Complete the tree diagram.



[2]

- (b) A student takes one bead at random from bag A and one bead at random from bag B. Find the probability that both beads are white.

..... [2]



(a) Describe fully the **single** transformation that maps shape *A* onto shape *B*.

.....
 [3]

(b) On the grid, draw the image of

(i) shape *A* after a translation by the vector $\begin{pmatrix} -5 \\ -6 \end{pmatrix}$. [2]

(ii) shape *A* after an enlargement by scale factor 3, centre (1, 4). [2]

19 Rearrange the formula to make t the subject.

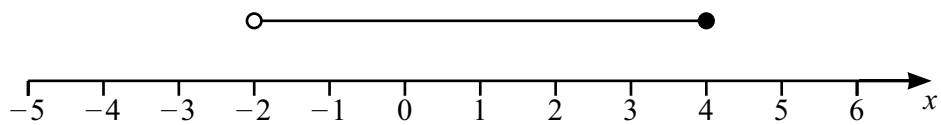
$$w = 7t - 5$$

$$t = \dots\dots\dots [2]$$

20 (a) Write down the smallest **even** integer that satisfies the inequality $y > 2.5$.

$$y = \dots\dots\dots [1]$$

(b) Write an inequality, in terms of x , to represent the interval shown on this number line.



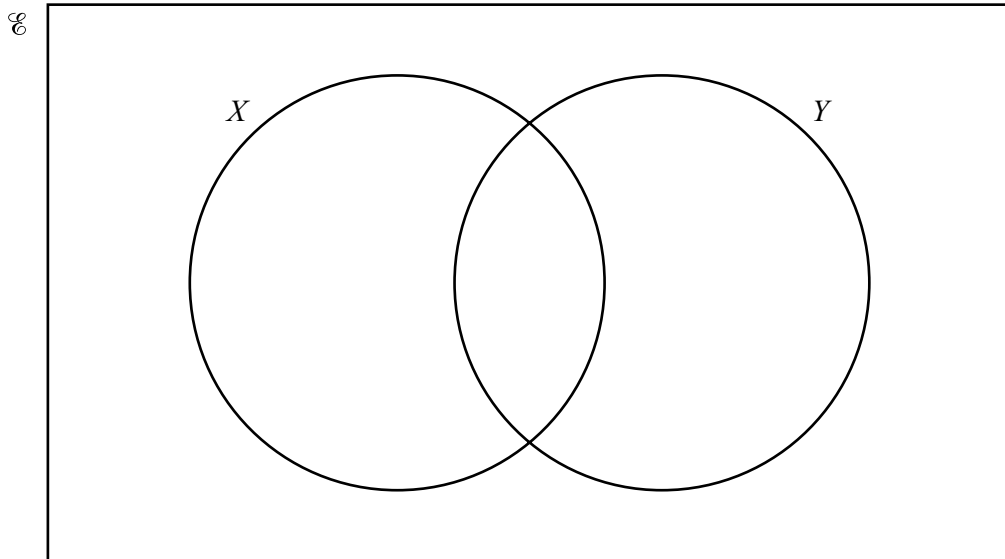
$$\dots\dots\dots [2]$$

21 $\mathcal{E} = \{a, b, d, e, f, h, i, m, p, t, u\}$

$X = \{a, e, i, u\}$

$Y = \{d, e, m, p, t, u\}$

(a) Use this information to complete the Venn diagram.



[2]

(b) List the elements of $X \cap Y$.

..... [1]

(c) Find $n(X')$.

..... [1]

22 The length, L , of a road is 39 700 m, correct to the nearest 50 m.

Complete this statement about the value of L .

..... $\leq L <$ [2]

23 Solve the simultaneous equations.

$$3x - 5y = 22$$

$$7x + 10y = 8$$

$x =$

$y =$

[3]

Permission to reproduce items where third-party owned material protected by copyright is included has been sought and cleared where possible. Every reasonable effort has been made by the publisher (Cambridge University Press & Assessment) to trace copyright holders, but if any items requiring clearance have unwittingly been included, the publisher will be pleased to make amends at the earliest possible opportunity.

Cambridge Assessment International Education is part of Cambridge University Press & Assessment. Cambridge University Press & Assessment is a department of the University of Cambridge.